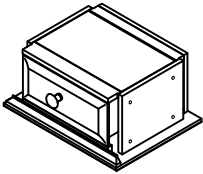
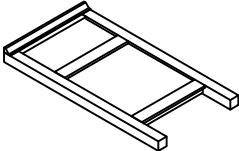
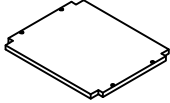




# ASSEMBLY INSTRUCTIONS

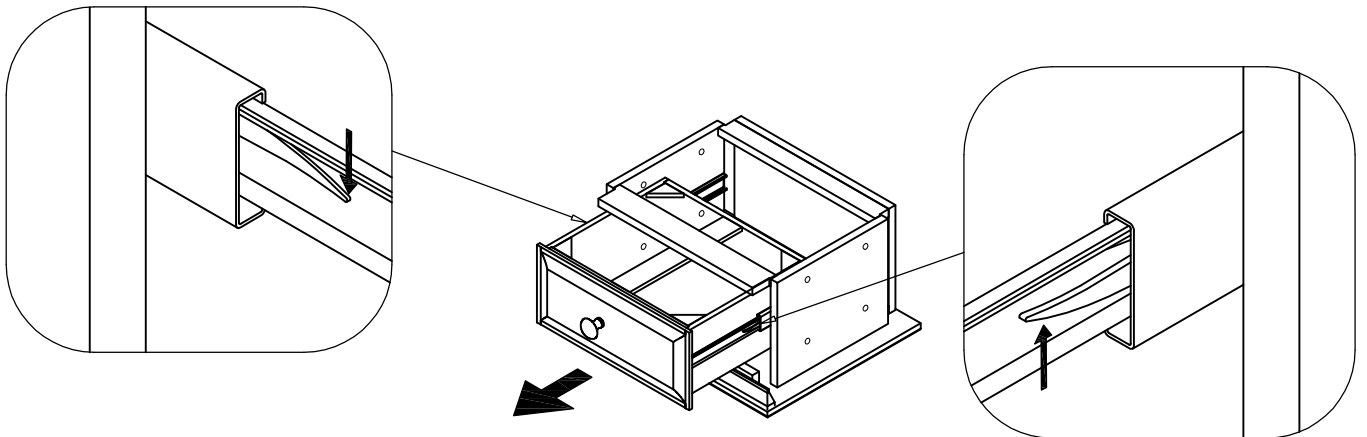
## COTTAGE STYLE NIGHTSTAND

### PARTS LIST

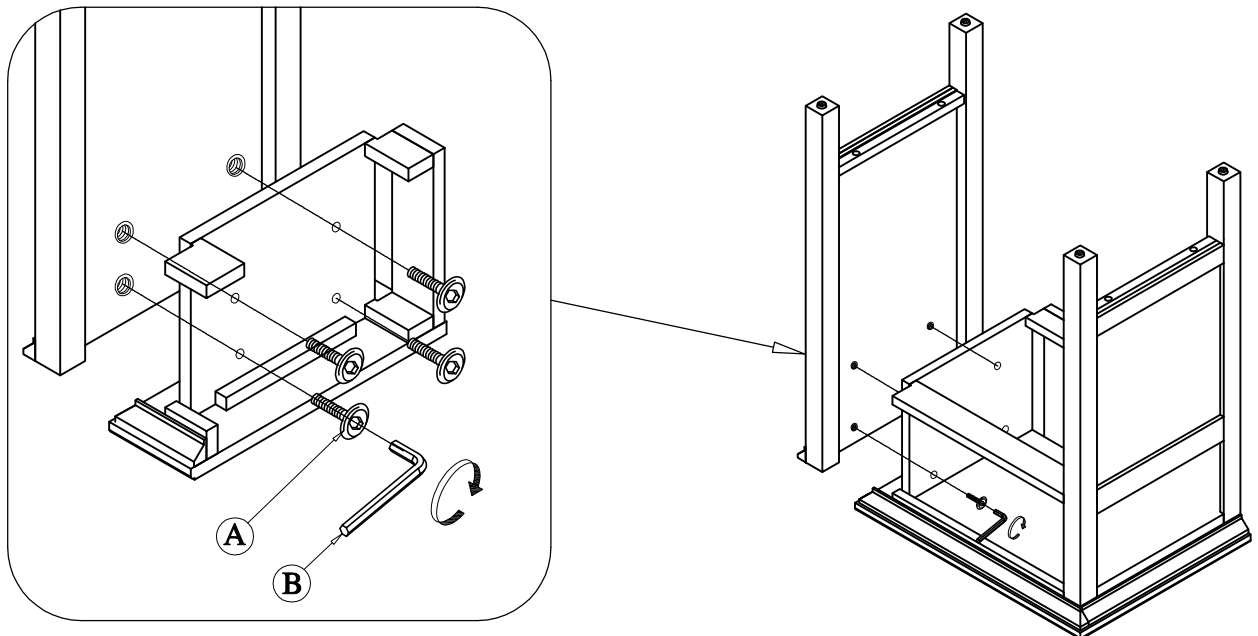
Code	Description	Q'ty
1 . Top Unit		1 pc
2 . Sides		2 pcs
3 . Shelf		1 pc

### HARDWARE LIST

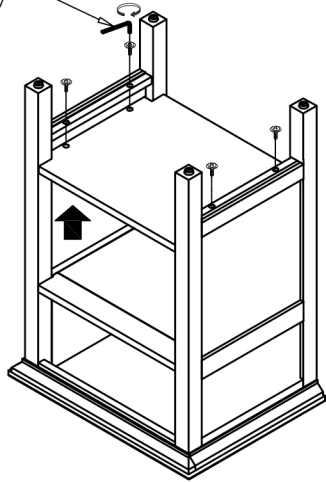
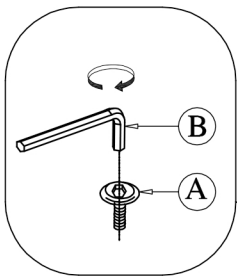
Code	Description	Q'ty
A . Bolt 1/4" x 30mm		12 pcs
B . Allen Key 4mm		1 pc



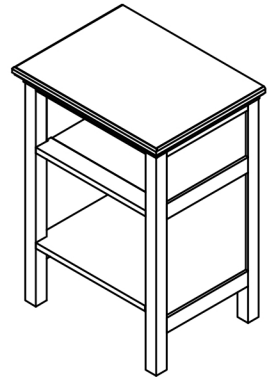
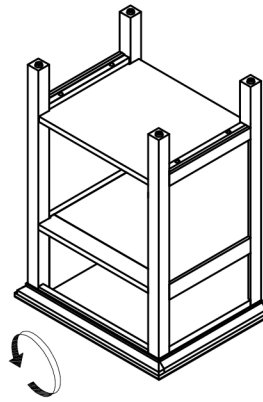
**Step 1**



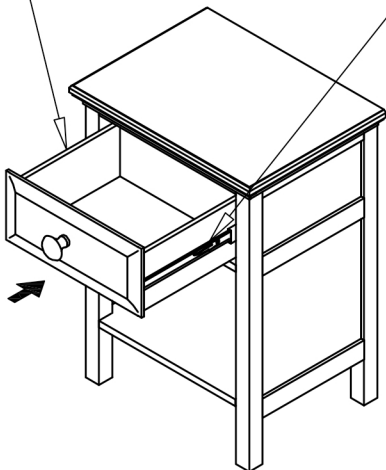
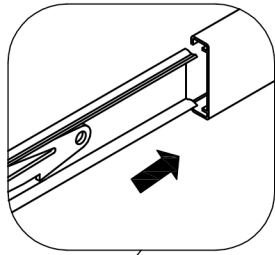
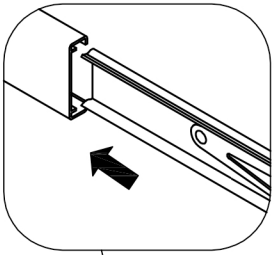
**Step 2**



Step 3

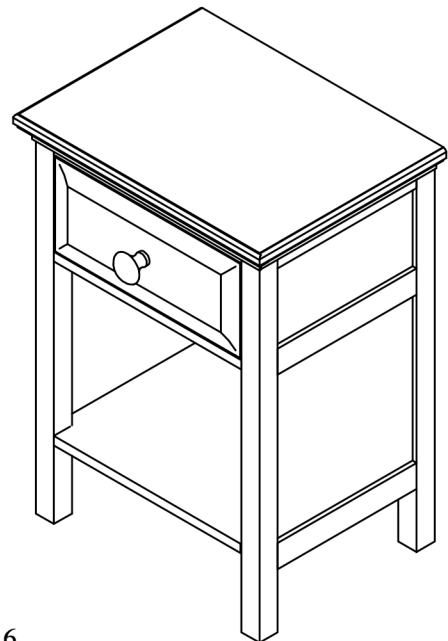


Step 4



Step 5

1. Please adjust the levelers if the floor is not even.
2. Make sure to tighten all bolts before use. Enjoy it now.



Step 6