



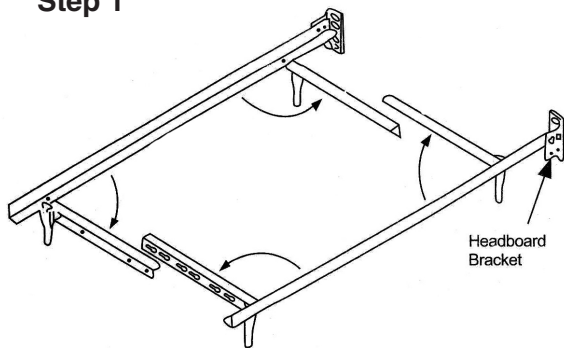
Assembly Instructions: Insta-Lock I-50G, I-50RR, I-450G, I-450RR & Economy Insta-Lock I-126Q, I-115PR, I-416QPG, I-414PR Bed Frames

Parts Included

- Side Rails - 2
- Sheet Protectors - 2
- Casters & Sockets OR Glides - 5
- Center Rail - 1
- Screws - 2
- Nuts - 2



Step 1

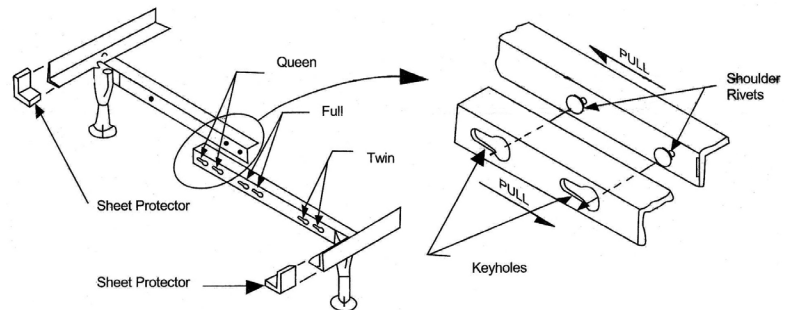


Instructions

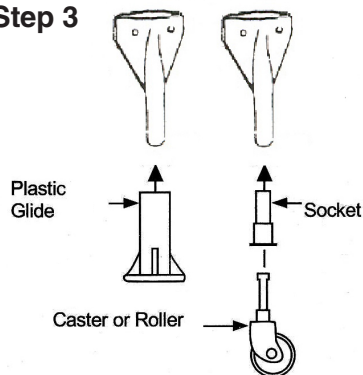
1.) Open frame as shown in Step 1. The headboard brackets should both be facing the same end.

2.) Adjust the width of the frame to the approximate size of your box spring. Locate the two shoulder rivets of the cross arms and insert them into the corresponding keyhole slots for the size of your box spring. After inserting the shoulder rivets, pull the cross arms outward to set them in place. Attach the two sheet protectors at the foot ends of the side rails.

Step 2



Step 3



3.) As shown in Step 3, if your frame has plastic glides, simply push the glide onto the leg. If your frame has a wheel or caster, first insert the plastic socket into the leg. Then insert the stem of the wheel into the plastic socket.

4.) As shown in Step 4, if you are using this frame for a queen size bed, attach the cross support in the illustrated position with the enclosed nuts and bolts.

Step 4

