

## Build your own..... Simple Window Box

Ability Level: **Beginner**

### Here's what you'll need:

| Item No   | Description  | Qty |
|-----------|--|-----|
| DM56X8-04 | Everwood lumber 5/4" x 6" x 6' Bundles*                  | 1   |
|           | 2" Exterior wood screws                                  | 12  |
|           | 6" planter pots with a flange.<br>Clay or plastic.       | 3   |
|           | Mounting screws for attaching window<br>box to structure |     |

\* One bundle is enough to make 2 window boxes

Overall dimensions = **36L x 11W x 6.5H inches**

Estimated Project Cost = **\$45**

Estimated Project Time = **1 Hour**

[Buy Everwood Lumber for this Project](#)



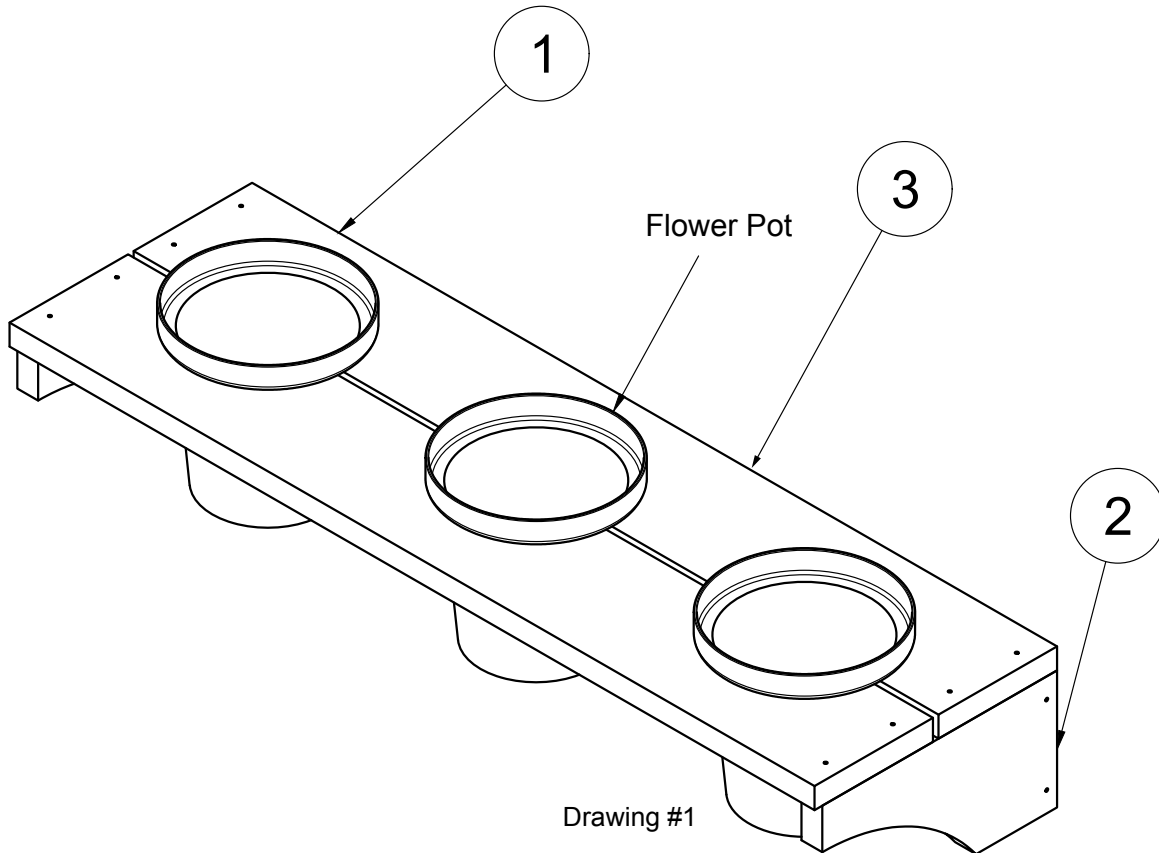
### Tools Required

- Safety Glasses
- Pencil
- Tape Measure
- Carpenters Square
- Screwdriver or drill with driver bit
- Saw
- Jig Saw

### Before You Begin

- 1) Carefully review the plans and cut list.
- 2) Prepare an adequate work surface or work area for assembly.
- 3) Having a solid work bench or table will prove helpful.
- 4) Review [Working with Everwood](#) for tips on cutting and screwing.

## PART NUMBERS



## STEP 1: Cut to Length

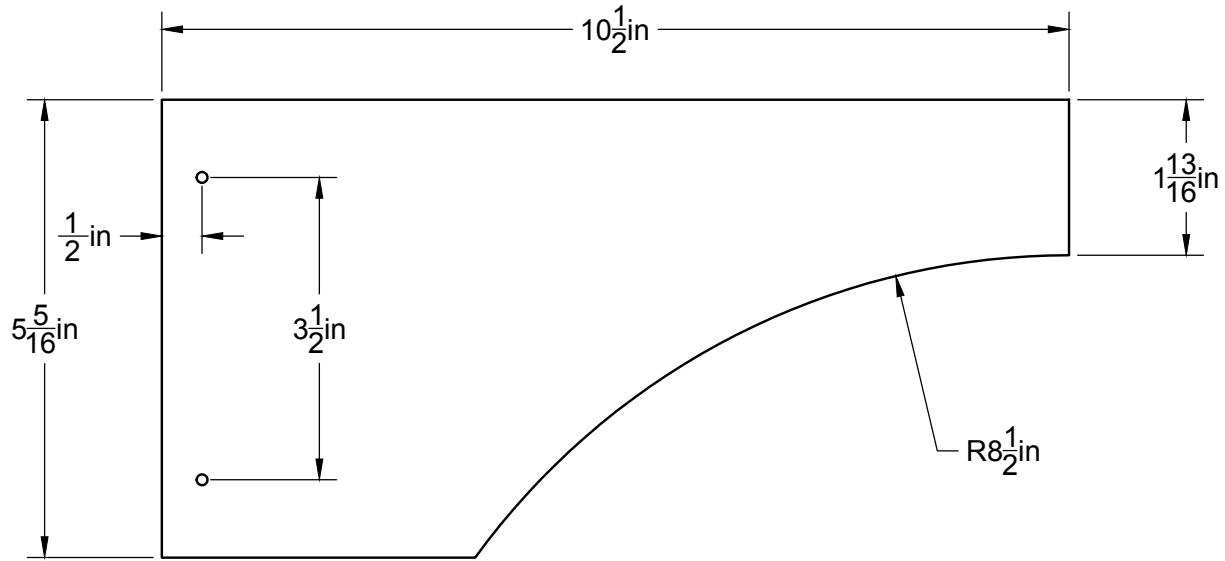
See page 7 for setting up your lumber, then cut to the quantities and dimensions shown below.

| Part # | Description | Profile Size       | Cut Length to: | Qty |
|--------|-------------|--------------------|----------------|-----|
| 1      | Top Boards  | 0.93" x 5.3" x 72" | 36"            | 2   |
| 2      | Brackets    | 0.93" x 5.3" x 72" | 10-1/2"        | 2   |
| 3      | Backboards  | 0.93" x 5.3" x 72" | 34-1/4"        | 1   |

Note: Nominal and actual dimensions are used interchangeably. For example a 2 x 4 nominal = 1.3" x 3.3" actual.

## STEP 2: Cutting the Side Bracket Decoration

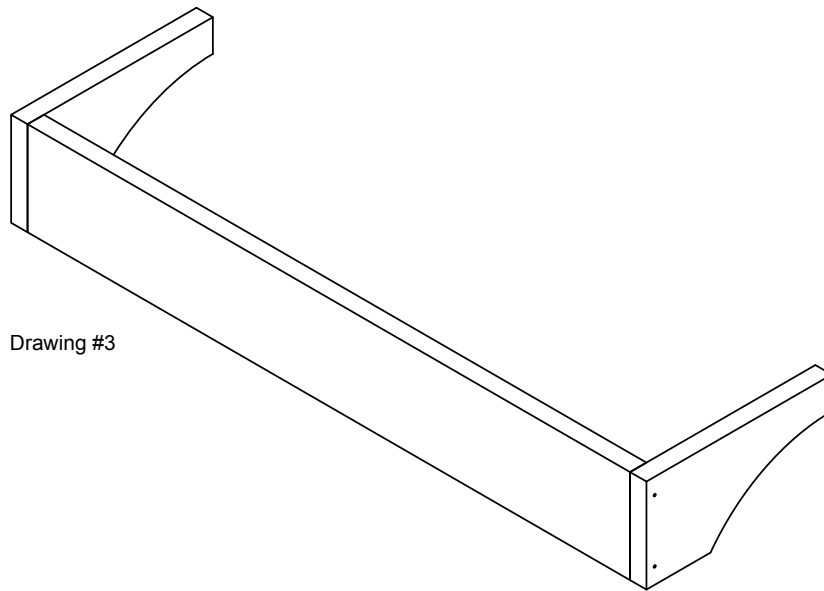
The brackets have semi-circles cut into them as decoration. Placement and size are indicated below. You may also use the actual size template on page 6. However, you can cut whatever decorative detail you wish.



Drawing #2

## STEP 3: Attach Brackets to Backer Board

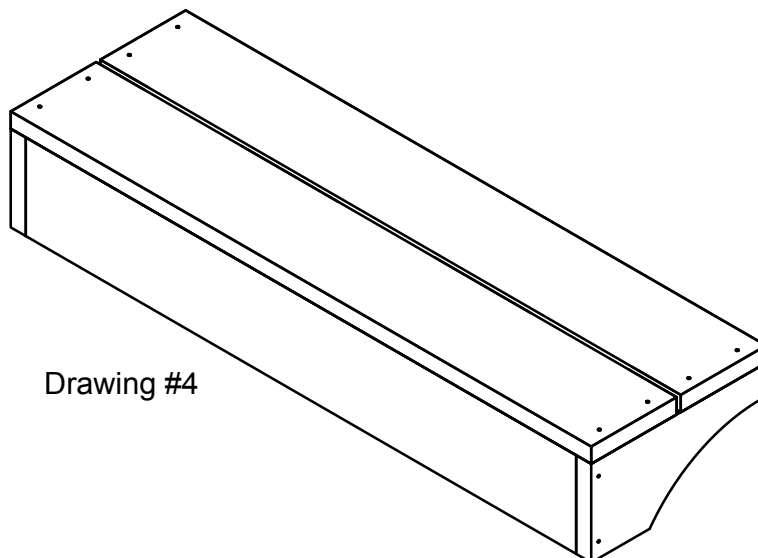
Attach each bracket (Part #2) to the ends of the backer board (Part #3). Attach using 2" exterior wood screws, driving the screws through the bracket into the ends of the backer board. The top, bottom and back of the bracket should be flush with the backer board.



Drawing #3

## STEP 4: Attach Top Boards

Attach the top boards (Part #1) to the brackets. Drive 2 screws through the top board into the brackets on each end. Leave approximately 1/4" space between the two top boards.



Drawing #4

## STEP 5: Cutout the Holes

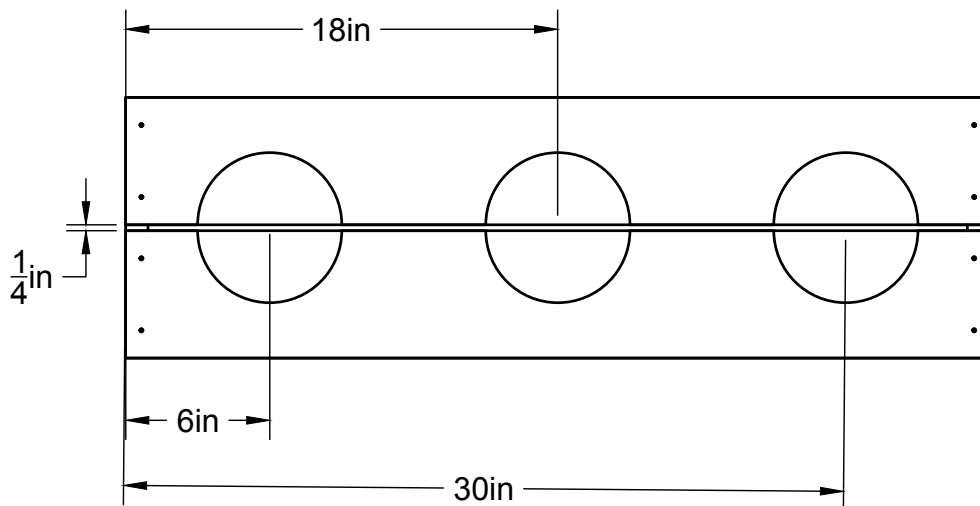
Layout the centers for the clays pot cutouts. The centers will be 6", 18" and 30" from either end of the top boards and centered front to back. Mark the circle for your specific pot dimension and cut using a jigsaw with a wood cutting blade.

**Note:** Measure your clay pot just below the flange to get an accurate dimension for the cut-out circumference. Add a 1/4" to this dimension to allow extra room for an easy fit.

If you are unsure of your measurement/dimension, you can test your measurement by cutting the circle out on a sheet of paper and test fitting it onto the pot.

**Pros tip:** Cover/protect the top of your window box before cutting the holes for the pots using painters' tape. This will prevent the saw's base from scratching the boards. Remove the tape immediately after cutting the holes.

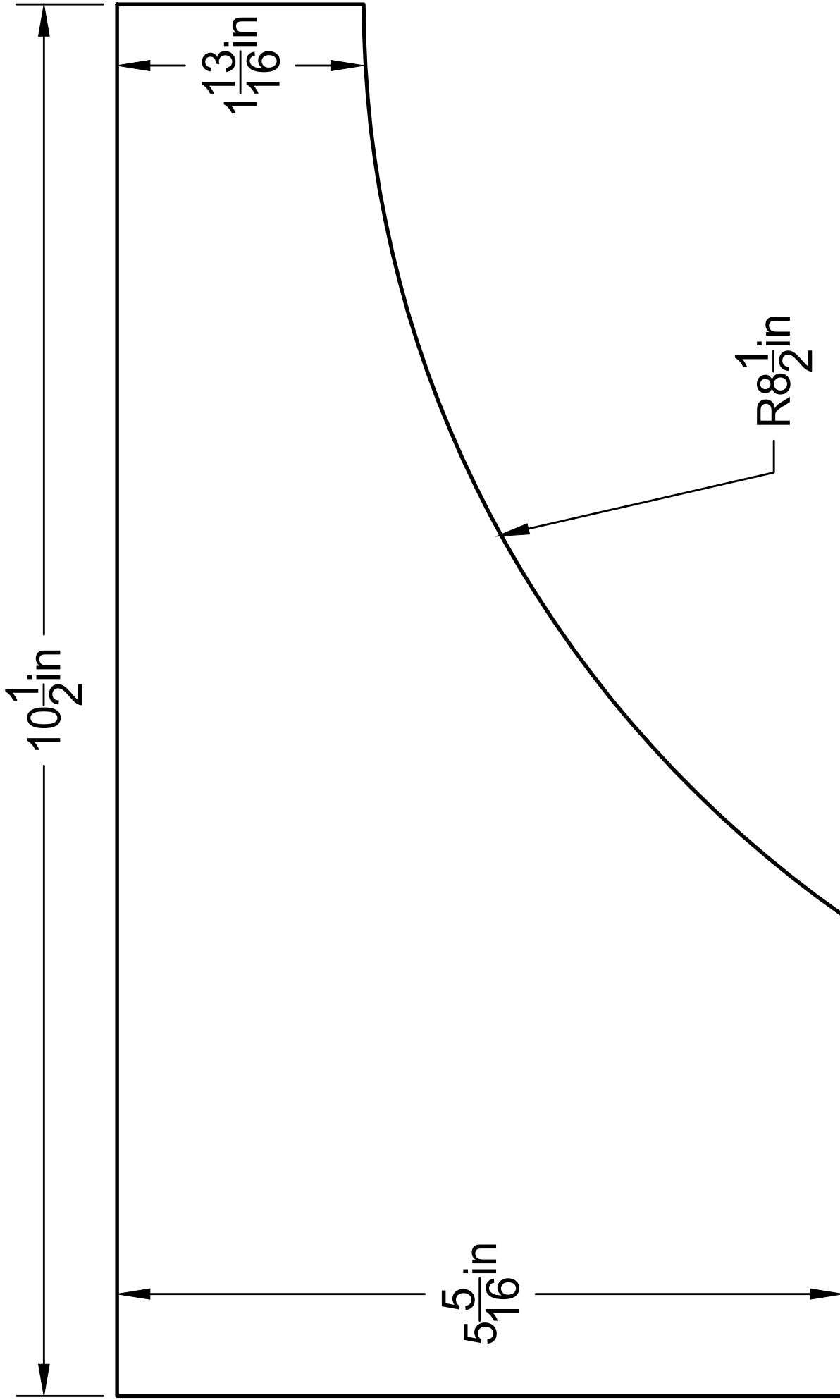
Attach the window box to your structure with screws through the backer board.



Drawing #5

## Congratulations

You have just completed a beautiful window box.



Side Brackett (Actual Size)



Board 1



Board 2

