

Build your own..... Large Planter Box

Ability Level: **Beginner**

Here's what you'll need:

Item No	Description	Qty
DM14X8-04	Everwood lumber 1" x 4" x 6' Bundles	4
	1" Exterior wood screws	152

Overall dimensions = **27.5L x 26W x 24.5H inches**

Estimated Project Cost = **\$165**

Estimated Project Time = **1 Hour**

[Buy Everwood Lumber for this Project](#)



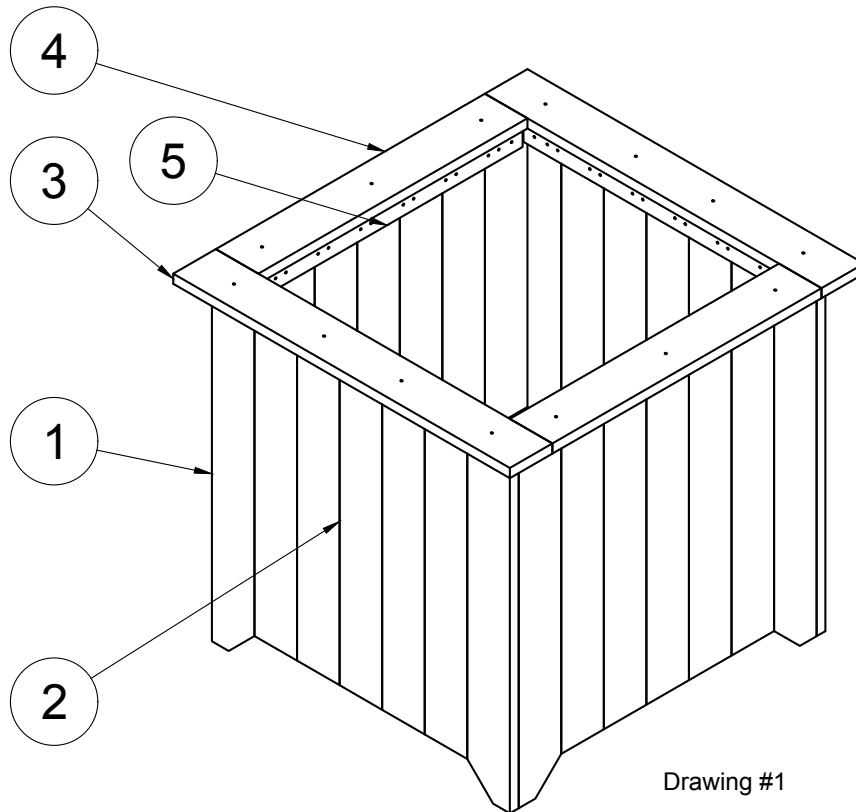
Tools Required

- Safety Glasses
- Pencil
- Tape Measure
- Carpenters Square
- Screwdriver or drill with driver bit
- Saw

Before You Begin

- 1) Carefully review the plans and cut list.
- 2) Prepare an adequate work surface or work area for assembly.
- 3) Having a solid work bench or table will prove helpful.
- 4) Review [Working with Everwood](#) for tips on cutting and screwing.

PART NUMBERS



Drawing #1

STEP 1: Cutting

See page 6 for setting up your lumber, then cut to the quantities and dimensions shown below.

Note: The backer boards (Part #5) are ripped in half (cut lengthwise) from the 1 x 4 material.

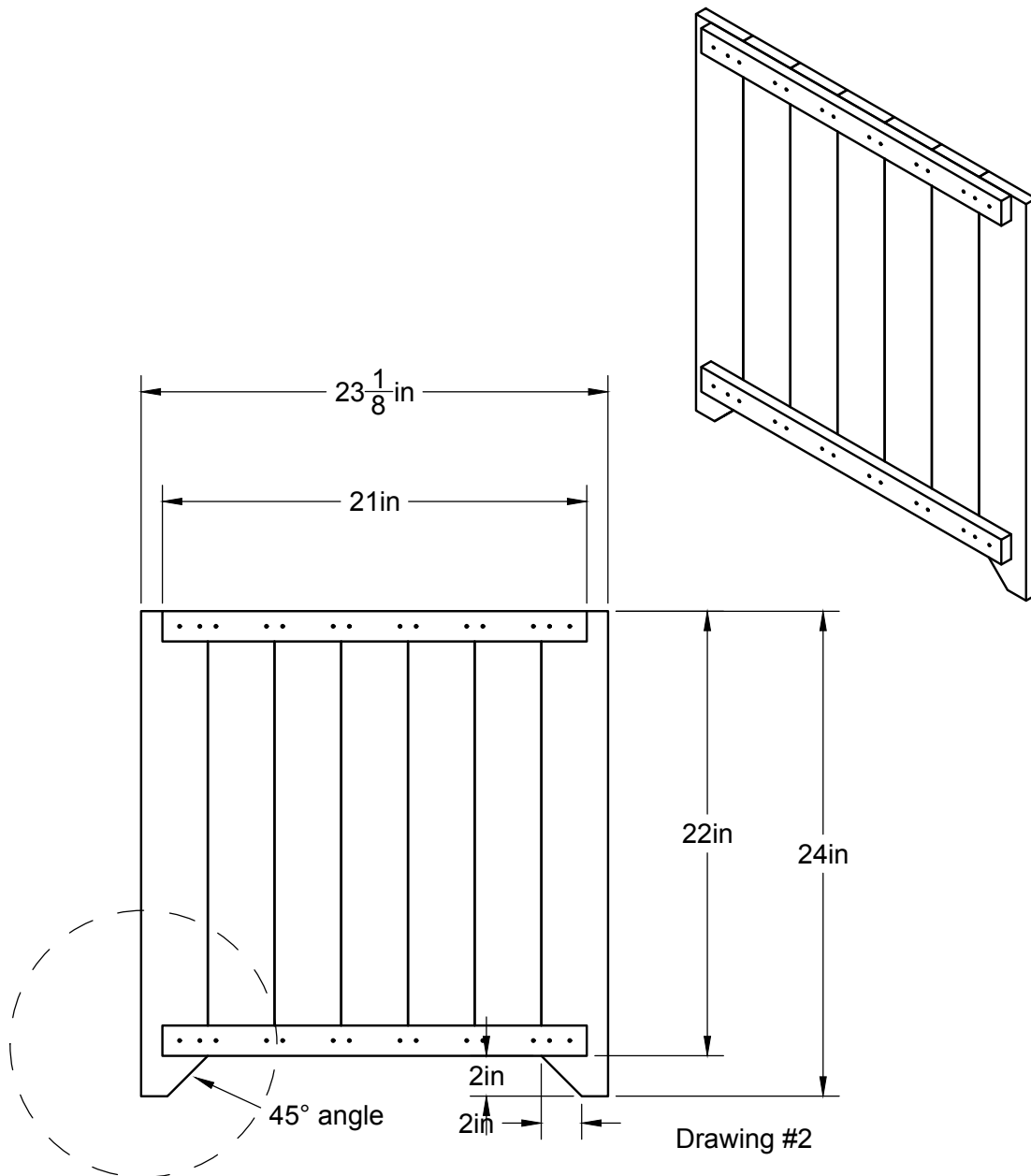
Note: The corner/leg boards (Part #1) have a 45 degree angle cut at the bottom. To get a 45 degree angle, measure 2" from the bottom of the board and place a pencil mark. Measure 2" in from the side of the board and place another pencil mark. Connect these 2 points and you will have a 45 degree at the proper location (see Drawing #2).

Part #	Description	Profile Size	Cut Length to:	Qty
1	Corner Leg	0.68" x 3.3" x 72"	24"	8
2	Side Board	0.68" x 3.3" x 72"	22"	20
3	Trim Long	0.68" x 3.3" x 72"	26-1/8"	2
4	Trim Short	0.68" x 3.3" x 72"	20-7/8"	2
5	Backer Board (cut lengthwise)	0.68" x 1.5" x 72"	1-1/2" x 21-1/4"	8
6	Bottom Board	0.68" x 3.3" x 72"	21-1/2"	7

Note: Nominal and actual dimensions are used interchangeably. For example a 2 x 4 nominal = 1.3" x 3.3" actual.

STEP 2: Side Panel Assembly

Layout the corner/leg boards (Part #1) for the planter and the side boards (Part #2) as shown in Drawing #2. Place the top backer board (Part #5) even with the top edge of the side boards and the bottom backer board even with the bottom of the side boards. Center these backer boards from side to side. Drive (2) 1" screws through the backer into the boards at both the top and bottom of each board. Use a carpenter's square and check to make sure these sides are square.



STEP 3: Assemble the Panels

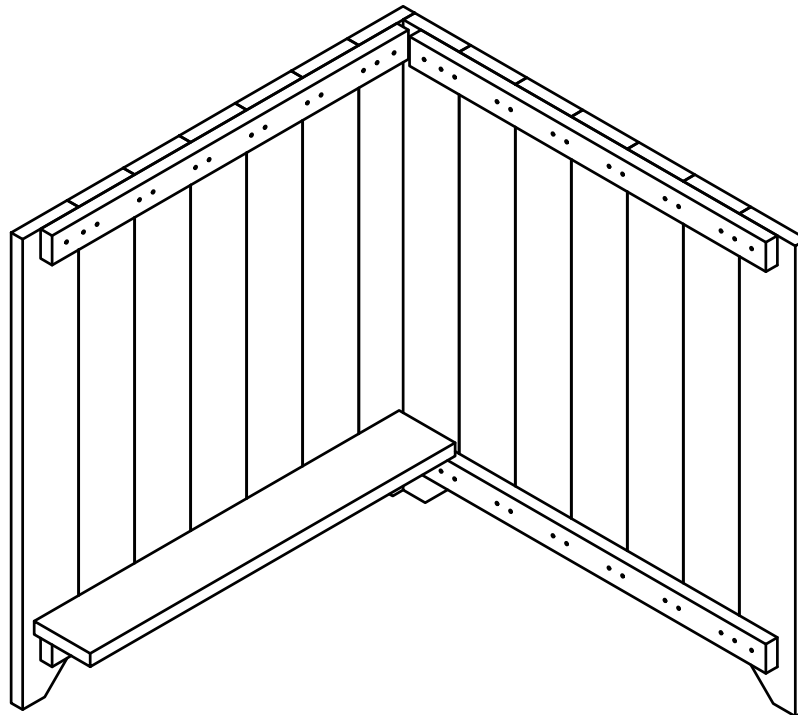
Attach 2 side panels together as shown in Drawing #3, using (3) 1" screws per corner. Drive the screws through the face of one panel into the edge of the other panel at the corner. Use your carpenter's square, checking to make sure the Planter Box is square. Repeat for the third and fourth sides. Your box will measure 24-1/2" x 23-1/8".

Pro tip: Layout and mark the screw locations so they are equally spaced and match at all 4 corners.

Drop the bottom boards (Part #6) inside the planter onto the backer boards located on the bottom of the planter. Optional: attach these bottom boards with screws.

Note: You may need to trim the last board slightly to fit.

You can use fewer boards allowing for gaps in between these bottom boards allowing for drainage and air flow if you plan to use potted plants.



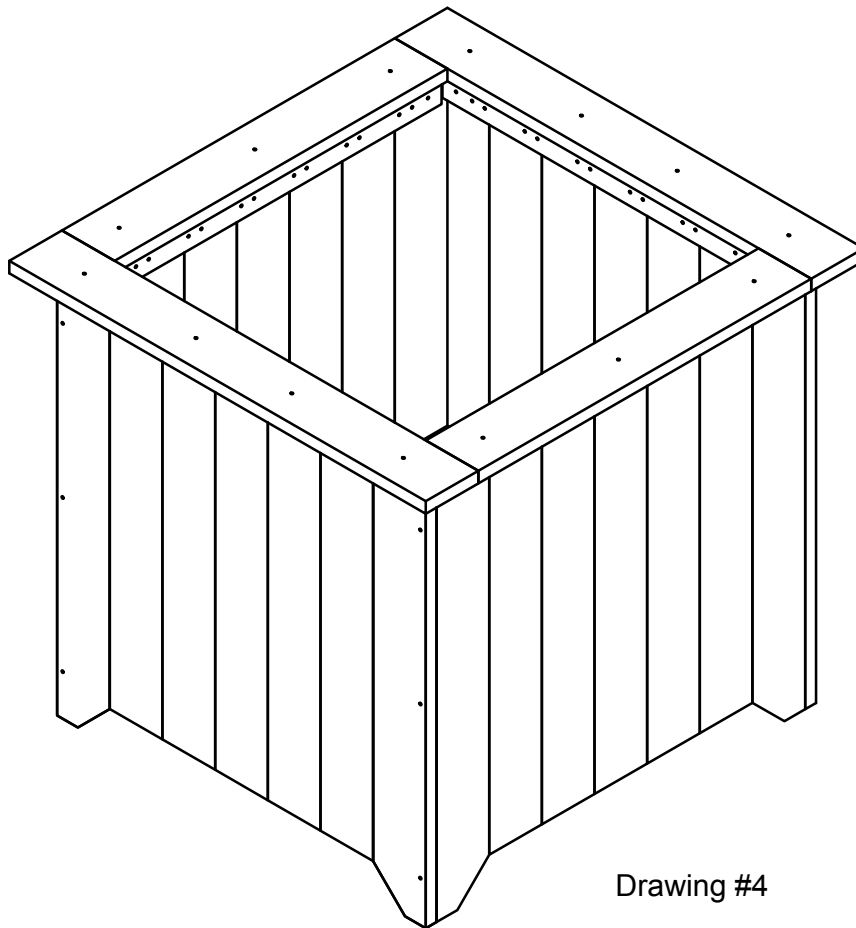
Drawing #3

STEP 4: Trim Assembly

Attach the trim boards to the top of the planter box using 1" screws.

Note: The long trim boards (Part # 3) run parallel with the long sides of the planter. The shorter trim boards (Part # 4) run parallel with the shorter sides.

Leave approximately an 1-1/2" overhang of the trim around the perimeter of the box.



Drawing #4

Congratulations

You have just completed a beautiful planter box.



Board 1



Board 2



Board 3



Board 4



Board 5



Board 6



Board 7



Board 8



Board 9



Board 10



Board 11



Board 12



Board 13



Board 14



Board 15

