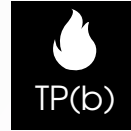
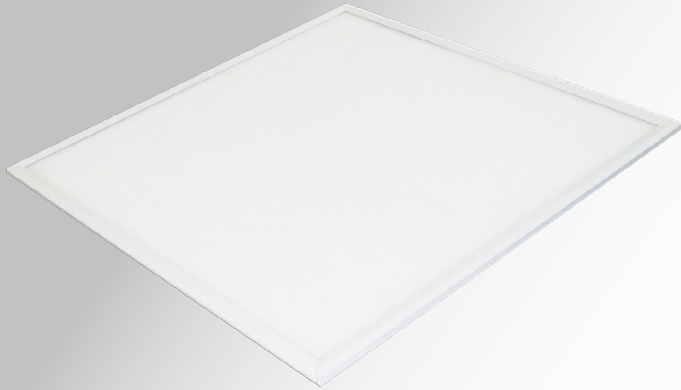


ORION TRI-COLOUR MODULAR (6x6)

ORN-30-6X6TC



LIGHTING & SECURITY

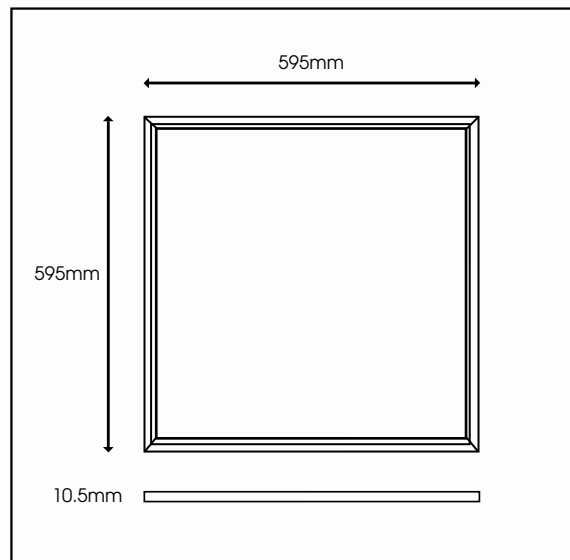


Driver as Standard

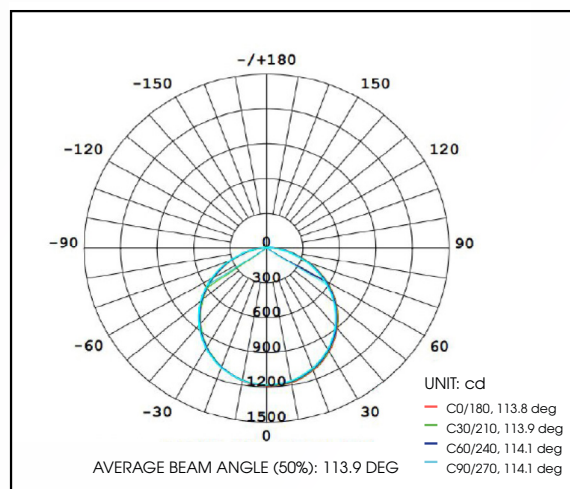


LED's inside

TECHNICAL DRAWINGS



LUMINOUS INTENSITY DISTRIBUTION DIAGRAM



Specification	Orion 6x6
System Power	30W
Driver Manufacturer	Tridonic
LED Chipset	Samsung
Diffuser	Opal
Colour Rendering Index	>85
Typical UGR	<19
LED Efficacy	120 Lm/cW
Lumen Output	3600Lm
Fire Rating	TP(b)
Dimmable	On request
Power Factor	0.95
IP Rating	IP44
Beam Spread	160 °
Colour Type	Tri-colour
Colour Temperature	3000K/4000K/6000K
Housing Material	High Grade 6063 Aluminium
Light Guide Plate	PMMA
Operating Temperature	-20 to 50 °C
Input Voltage	AC 200-240V, 47-63Hz
Weight	2.75kg
Dimensions	595mm x 595mm x 10.5mm
MacAdam Step	2.8
Lifetime	50,000 hours, L70-B10 (Ta 25 °C)
CE Standards	EN60598-1, EN 60598 2-2, EN62493, EN55015, EN61547, EN61000-3-2, EN61000-3-3, EN62722-1, EN62722-2-1 and EN50581
CE Directives	LVD, EMC, ERP & RoHS

* Warranty terms and conditions apply

For further information on our products or terms and conditions visit our website www.qvisled.com or email: sales@qvislighting.com

MODULAR & RECESSED RANGE